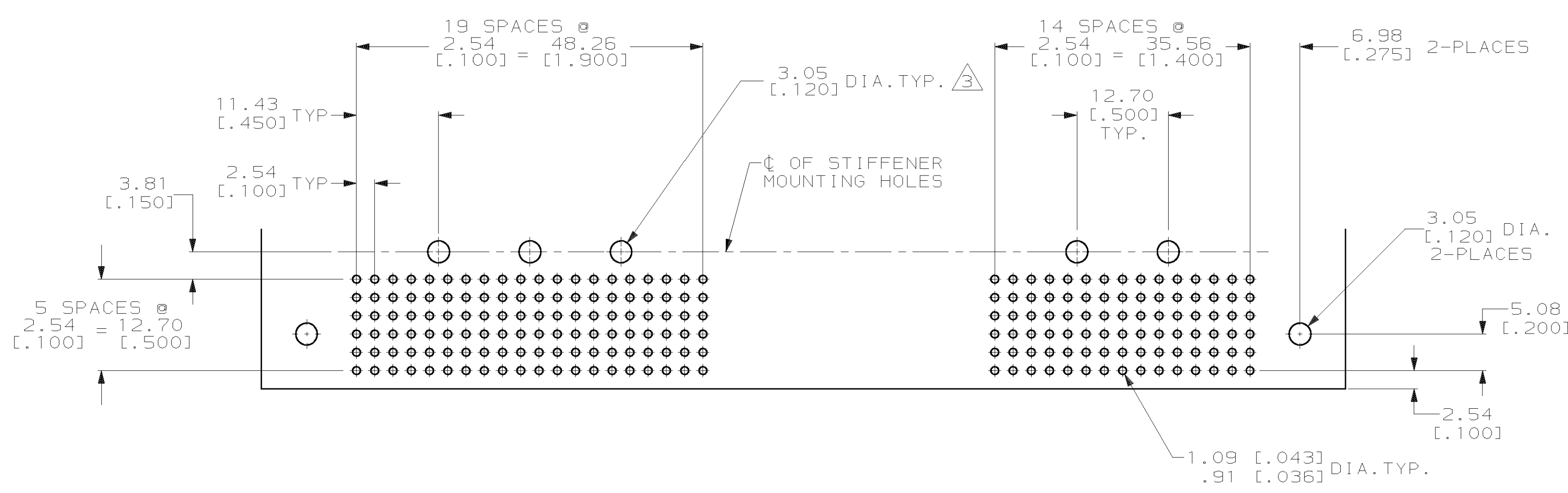
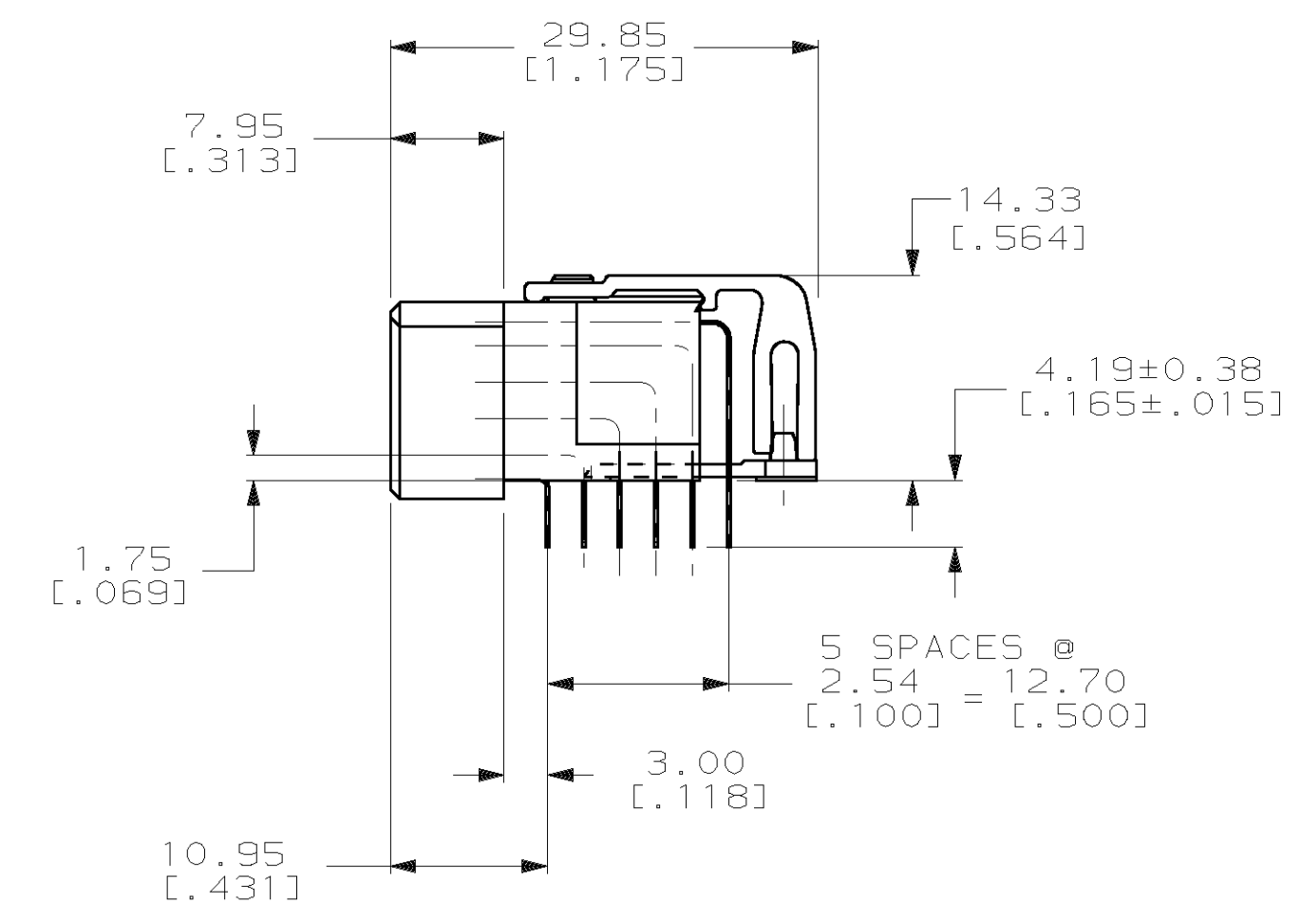
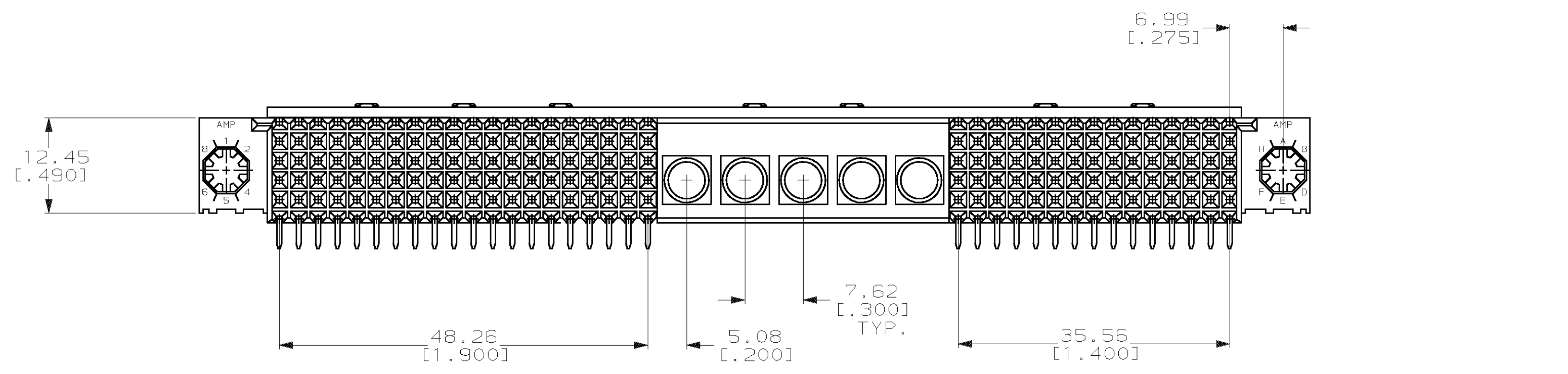
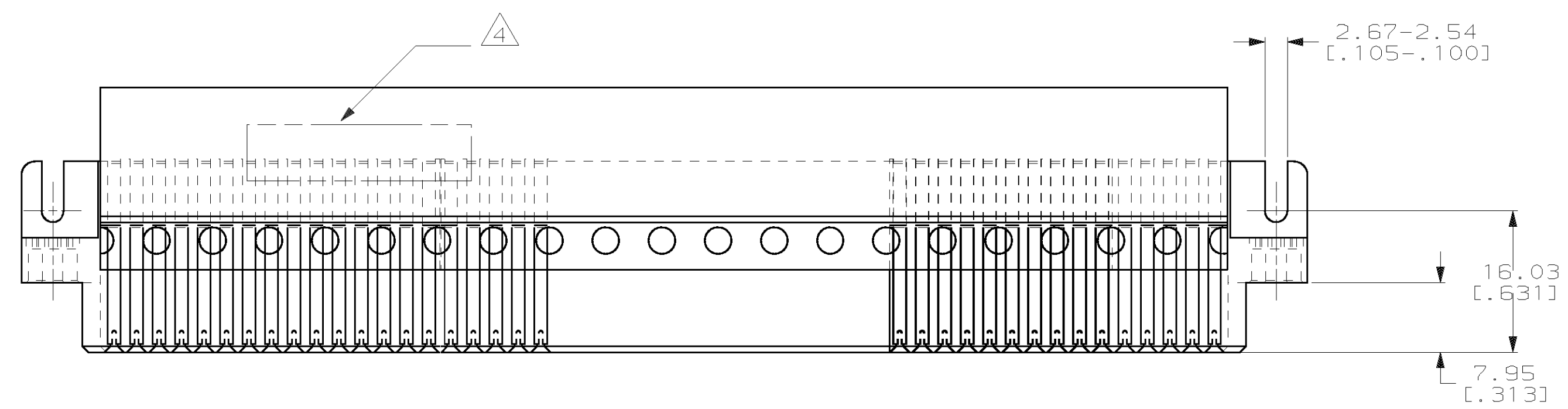
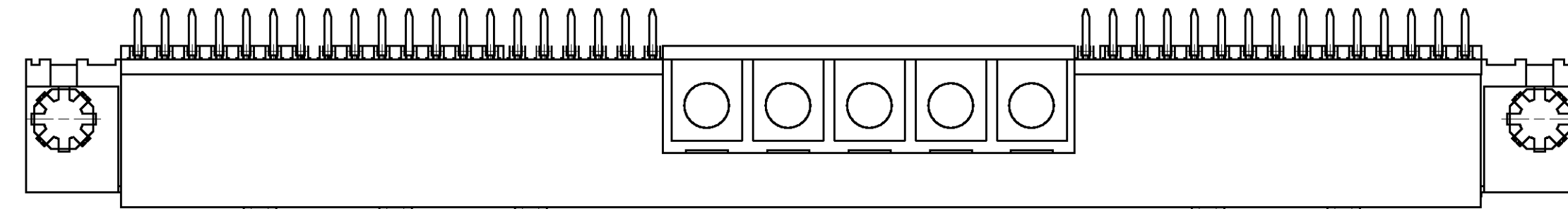


LOC	DIST	P	F	ZONE	LTR	REVISIONS	DATE	APPD
AD	25					O DRAWN	06/28/91	DLH
						A REV. PER ECN. 0010-0888-93	7/16/93	NFS
						B ECN. 0010-0520-94 TH	4/12/94	DLH
						C ECN. 0010-1811-94 SH	6-12-95	WLM
						D PER EC 1687-95 T.S.	3-25-96	DH
						E REV PER EC 001B-0015-01	25 JAN 01	WM

- 1 MATERIAL: HOUSING-GLASS FILLED POLYESTER, COLOR-BLACK
CONTACT- COPPER ALLOY
STIFFENER ALUMINUM
- 2 FINISH: .000050 MIN THICK NICKEL UNDERPLATE ALL OVER, WITH
.000030 MIN. GOLD ON MATING AREA, TIN-LEAD ON TAILS
- 3 RECOMMENDED MOUNTING SCREW IS A BINDING HEAD
#2 THREAD FORMING TYPE AB THREADS; STAINLESS
STEEL. MAXIMUM SPACING OF 38.10 [1.500] INCHES.
- 4 AMP, AMP PART NUMBER AND DATE CODE MARKED IN THIS APPROXIMATE AREA.



646158-1 IS AS SHOWN

RECOMMENDED PC BOARD LAYOUT

DO NOT SCALE PRINT. UNLESS SPECIFIED DIMENSIONS IN mm [INCHES] TOLERANCES - ON : 2 PLC DEC ± - 3 PLC DEC ± - ANGLES ± -		DR 06/28/91 T. CLARK		PART NO	
MATERIAL		CHK 8/4/93 N.F. SCHROLL		AMP Incorporated Harrisburg, PA 17105-3508	
FINISH		APPD 8/4/93 N.F. SCHROLL		RECEPTACLE ASSEMBLY, MODULAR, TBC PLUS, WITH COAX/POWER PORTS	
APPLICATION SPEC		APPD 8/4/93 N.F. SCHROLL		SIZE D 00779	
WEIGHT		PRODUCT SPEC		DRAWING NO 646158	
SCALE		APPLICATION SPEC		SHEET 1 OF 1	